



1100 SERIES

- Simple, rugged, compact differential pressure gauge
- Ranges from 0 inH₂O to 20 inH₂O through 0 psid to 100 psid
- 2-1/2", 4-1/2" and 6" gauge sizes
- Engineered plastic gauge case
- Black anodized Aluminum housing, 316 Stainless Steel optional

APPLICATIONS

- Heat exchangers
- Filter monitoring
- Flow indication
- Level indication

SPECIFICATIONS

Pressure ranges	0 inH ₂ O to 20 inH ₂ O through 0 psid to 100 psid
Max. working static pressure	Aluminum & Stainless Steel 3,000 psig; Brass 1,500 psig
Accuracy	±3/2/3% of full scale on rising pressure
Temperature ranges (Including switch option)	Media -40 °F to 200 °F (-40 °C to 93 °C) Ambient -40 °F to 200 °F (-40 °C to 93 °C) Storage -40 °F to 200 °F (-40 °C to 93 °C)
Temperature ranges (4-20 mA transmitter option)	Ambient -20 °F to 150 °F (-29 °C to 66 °C)
Measuring element	316 Stainless Steel, PTFE and ceramic magnet
O-ring & diaphragm material	NBR
Connection	1/4" NPT female, back connection
Sensor housing material	Black anodized Aluminum
Case	Engineered plastic
Bezel	Engineered plastic
Lens	Shatter-resistant acrylic
Pointer	Balanced Aluminum, black finish
Dial	Aluminum, white background with black scale
Movement	Magnetic
Optional switch rating	SPDT, 3W, 0.25 Amp, 125 Vac/Vdc (standard) (switch adjustable range of 15-95%). Other options available, consult factory.



ORDERING INFORMATION									
GAUGE SIZES & SERIES	25 - 11	2-1/2"	45 - 11	4-1/2"	60 - 11	6"			
CONNECTION LOCATIONS	0	Dual top & bottom ***	1	Back	2	Side	3	Bottom	
CONNECTION SIZE	2	1/4" NPT female	9	7/16-20 female (Back or side only)					
PRESSURE RANGES*	W20	0 inH ₂ O to 20 inH ₂ O	W75	0 inH ₂ O to 75 inH ₂ O	W400	0 inH ₂ O to 400 inH ₂ O	P30	0 psid to 30 psid	
	W25	0 inH ₂ O to 25 inH ₂ O	W100	0 inH ₂ O to 100 inH ₂ O	P5	0 psid to 5 psid	P50	0 psid to 50 psid	
	W30	0 inH ₂ O to 30 inH ₂ O	W135	0 inH ₂ O to 135 inH ₂ O	P10	0 psid to 10 psid	P60	0 psid to 60 psid	
	W40	0 inH ₂ O to 40 inH ₂ O	W150	0 inH ₂ O to 150 inH ₂ O	P15	0 psid to 15 psid	P75	0 psid to 75 psid	
	W50	0 inH ₂ O to 50 inH ₂ O	W200	0 inH ₂ O to 200 inH ₂ O	P20	0 psid to 20 psid	P100	0 psid to 100 psid	
	W60	0 inH ₂ O to 60 inH ₂ O	W300	0 inH ₂ O to 300 inH ₂ O	P25	0 psid to 25 psid			
SENSOR HOUSING MATERIALS	A	Aluminum, black	B	Brass	S	316L Stainless Steel			
O-RING & DIAPHRAGM MATERIALS	2	FKM	3	NBR	4	EPDM			
CASE MATERIAL	A	Aluminum (4-1/2" only)	P	Engineered plastic					
LENSES	1	Shatter-resistant acrylic	2	Safety glass**		3	Maximum indicating pointer (MIP) †		
FILL FLUIDS (optional)	GY	Glycerin	SL	Silicone ††					
SWITCH OR TRANSMITTER TYPE & HOUSING (OPTIONAL)	3	Single switch, NEMA 4X				7	4-20 mA transmitter in NEMA 4x IP65 plastic enclosure with terminal strip (1/2" female NPT conduit connection).		
	4	Dual switch, NEMA 4X							
OPTIONS	MH	(2) 1/4-20 Mounting Holes				RP	Reversed Ports		
	MK5-CS	Pipe Mounting Kit, Steel				ST	Stainless Steel Tagging		
	MK5-SS	Pipe Mounting Kit, Stainless Steel				WMK	Wall Mounting Kit		

Please consult your local NOSHOK Distributor or NOSHOK, Inc. for availability and delivery information.

* Other ranges and scales available on request.

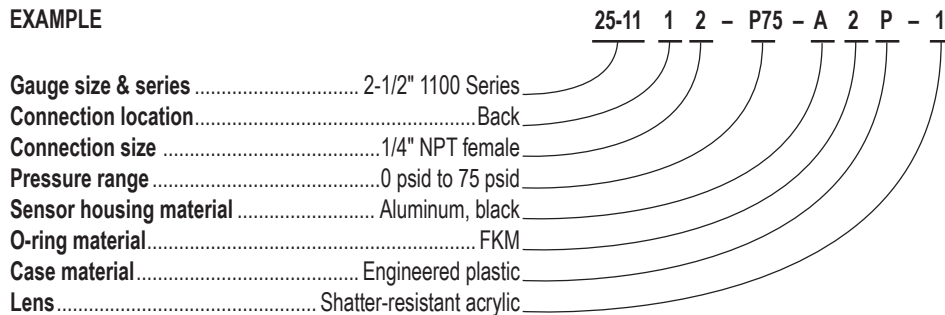
** Only available with dry, 4-1/2" gauge size with Aluminum case.

*** Not available with switch or transmitter option.

† Available with dry gauge only, 2-1/2" and 4-1/2" gauge sizes only.

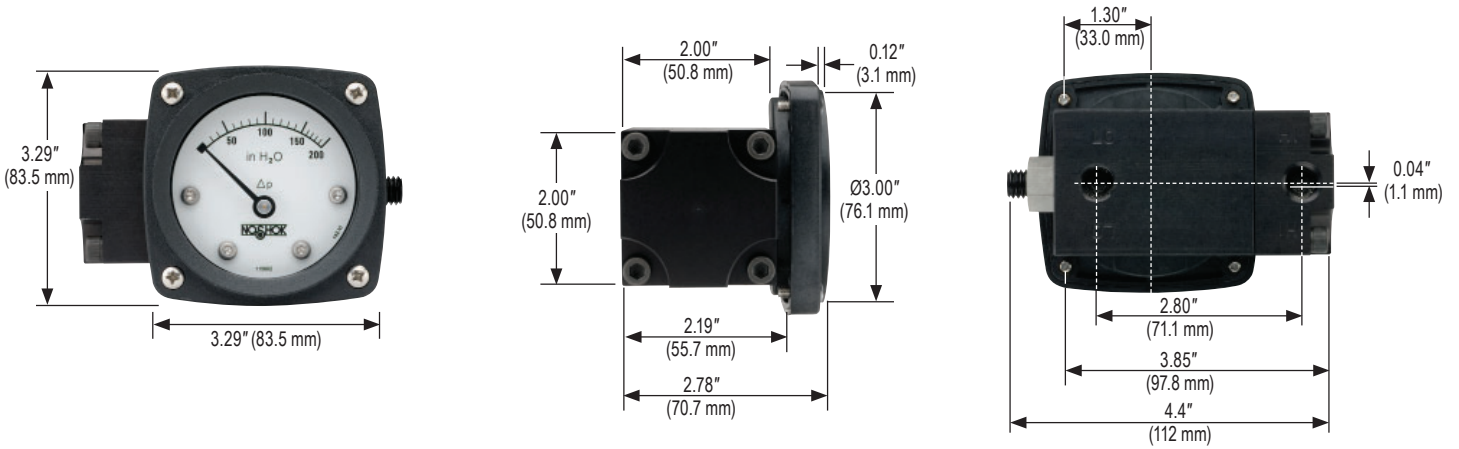
†† Optional Silicone filling available with 2-1/2" and 6" gauge case sizes, and 4-1/2" gauge case size with Aluminum case and standard shatter-resistant acrylic lens only.

EXAMPLE

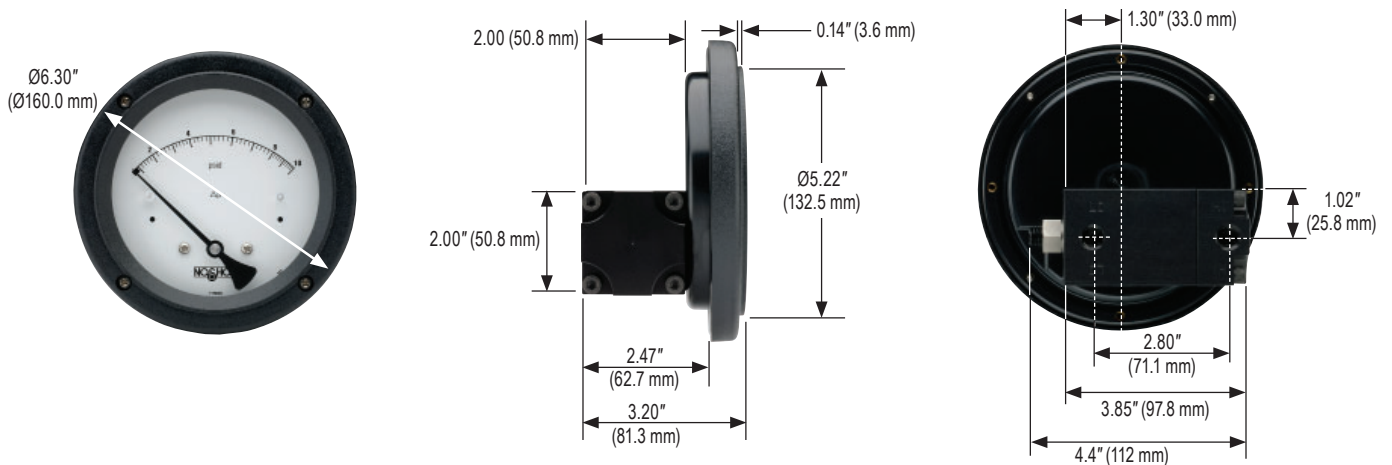


Dimensions

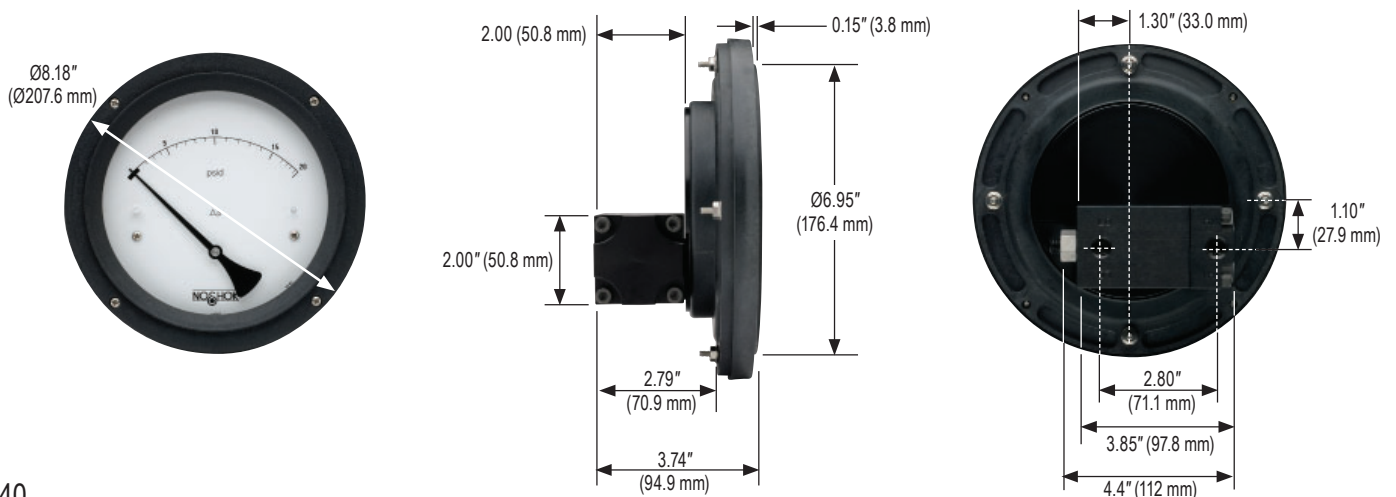
2-1/2" Gauge (<25 psid)



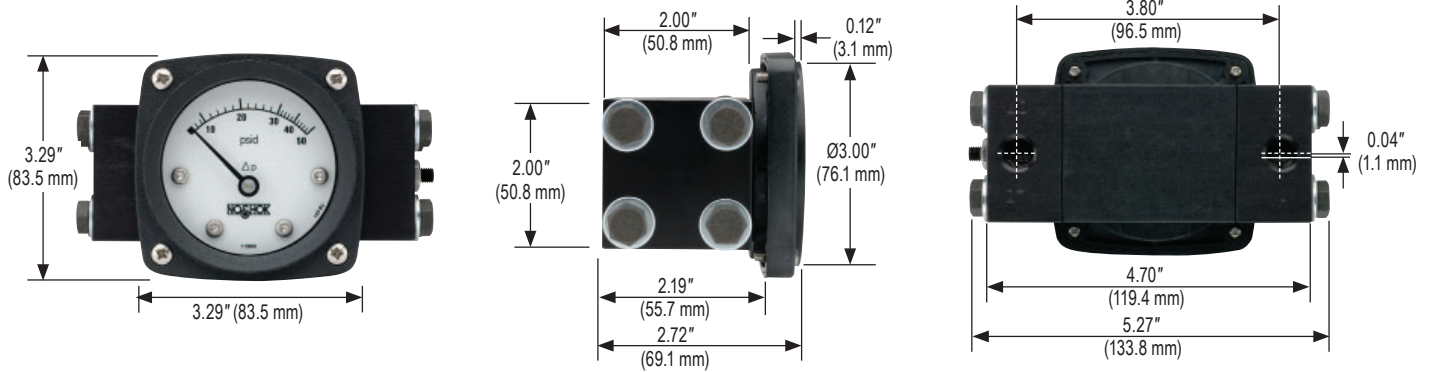
4-1/2" Gauge (<25 psid)



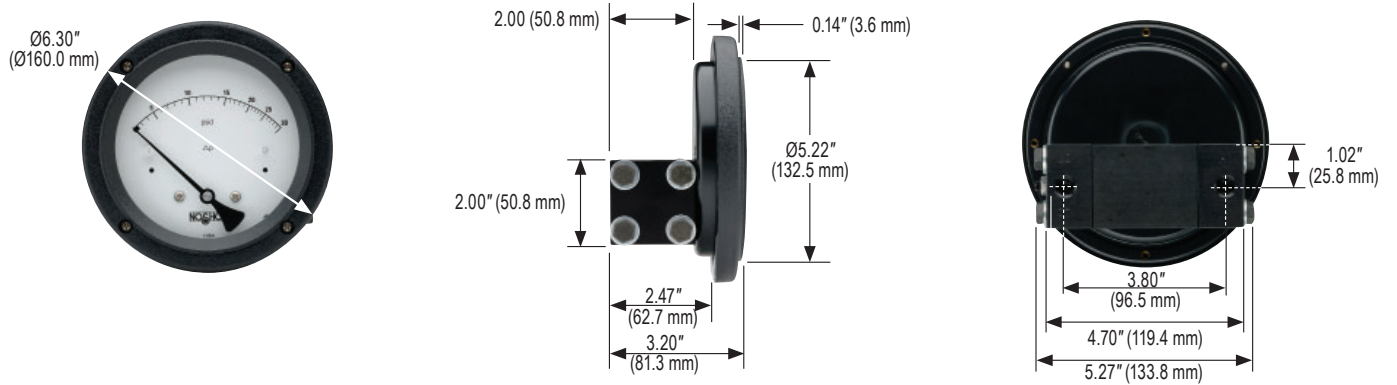
6" Gauge (<25 psid)



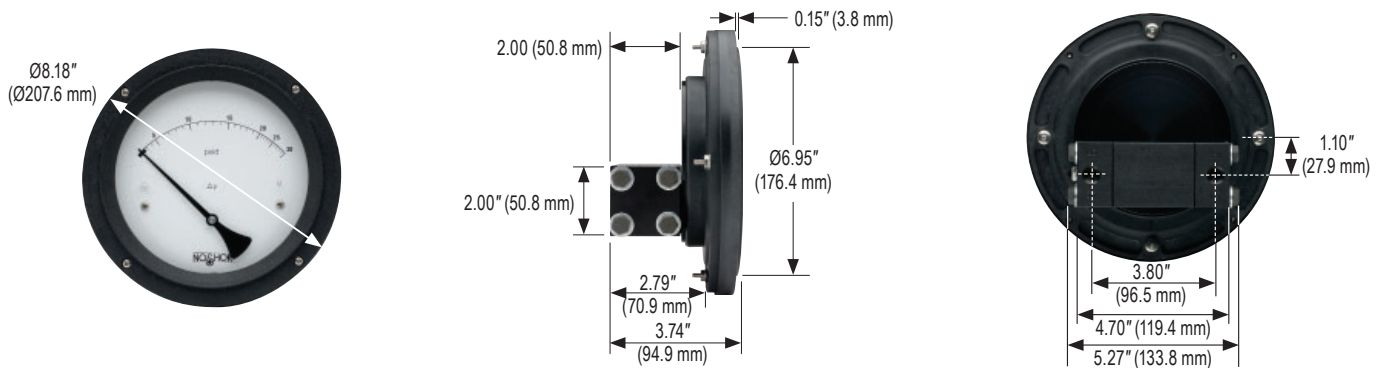
2-1/2" Gauge (≥25 psid)



4-1/2" Gauge (≥25 psid)



6" Gauge (≥25 psid)



4-20 mA Transmitter in NEMA 4x Enclosure



Single Switch in NEMA 4x Enclosure

